

The Champ FMV1000 Series High Wattage Floodlight is the best in its class with heavy-duty vapor-tight housing designed exclusively for harsh industrial areas requiring broad area lighting.

The FMV1000 Series Floodlight boasts restricted breathing and easy-to-wire terminal blocks as standard. It is available in the following HID lamp sources and wattages:

- 600, 750, 1000W High Pressure Sodium
- 1000, 1500W Metal Halide

## Applications:

The Champ FMV1000 Series is NEMA Type 4X and IP56 watertight, and its heavy-duty welded extruded aluminum housing and stainless steel hardware provide a robust design suitable for the most corrosive/marine environments.

## Features and Benefits:

- AEx nR, Ex nR restricted breathing rating is standard—a hazardous location luminaire without additional accessories or options; restricted breathing offers cooler T-numbers for increased hazardous locations suitability
- NEMA 7x6 butterfly beam floodlight pattern—wide, uniform and far reaching to provide excellent efficiency and more light where you need it
- NEMA Type 4X and IP56 construction is designed for use indoors and outdoors in marine and wet locations—with stainless steel external hardware suitable for saltwater and corrosive applications
- Easy wiring—standard terminal block with marked terminals saves time and eliminates wiring errors
- Vapor-tight sealing cable connector—standard
- Standard machining—will accept 3/4 inch NCGB or 3/4 inch Myers™ hub (Myers hub is an option). Optional metric machining will accept M20 or M25 (must be specified on order)
- Low and high ambient capability to -40°C—perfect for colder climates, 50°C workhorse in hot climates
- Heavy-duty, extruded copper-free aluminum enclosure with epoxy coating and stainless steel hardware—provides a robust design with industrial grade construction and corrosion resistance
- Precision formed aluminum reflector—superior beam control, distribution and efficiency
- High light output with a low cost of operation—cost-effectiveness in a high wattage floodlight

## Certifications & Compliances:

### NEC/CEC (NEC Ballast Gear and Socket):

- Class I, Division 2, Groups A, B, C, D
- Class I, Zone 2, AEx nR II, Group IIC
- Marine locations
- IP56
- Wet locations
- NEMA Type 4X

### IEC (IEC Ballast Gear and Socket)—pending:

- IEC Ex Class I, Zone 2
- Ex nA nR IIC

## Standard Materials:

- Housing—extruded aluminum
- External hardware—stainless steel
- Yoke—316 stainless steel
- Lens—heat- and impact-resistant tempered glass
- Gasketing—neoprene



Restricted breathing comes standard with this NEMA Type 4X and IP56 rated floodlight.



## Industry Best for Ease of Installation:

1. Removable ballast tray
2. Prewired to terminal blocks
3. Substantial room for wiring

## Standard Finishes:

- Aluminum—Corro-Free™ epoxy powder coat
- Stainless steel—natural

## Ratings (Electrical/Size):

Sources/Wattages (Mogul Base Lamps)

- HPS—600, 750, and 1000W
- MH—1000W
- MH—1500W non-hazardous location rated

## Voltages:

### Standard Voltage Ballasts

- Multi-tap (120, 208, 240, and 277V 60Hz)
- 480V 60Hz
- Tri-tap (120, 277, 347V 60Hz)

### Optional Voltage Ballasts

- 220V or 240V 50Hz (for export)
- 220V 60Hz (for export)

### Isolated Ballasts

- 208, 240, or 480V (for Canada)

## Hub Size:

- 3/4" NPT—standard
- M20 or M25—optional
- Dual entry—NPT or metric

# Champ® FMV1000 nR High Wattage Floodlights

Cl. I, Div. 2, Groups A, B, C, D  
Cl. I, Zone 2, AEx nR II, Group IIC

Marine locations  
NEMA Type 4X and IP56  
Wet locations

**6L**

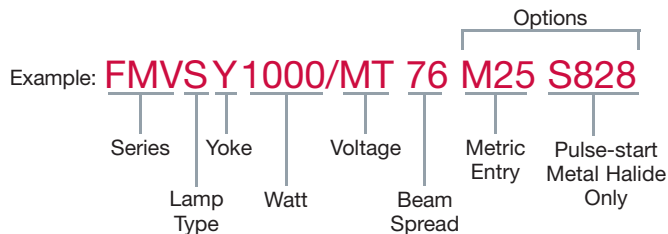
## Ordering Information for Floodlight with NEC Ballast:

Lamp Type	Watts	Base Catalog Number*
High Pressure Sodium	600	FMVSY600__76
	750	FMVSY750__76
	1000	FMVSY1000__76
Metal Halide	1000	FMVMY1000__76
	1500	FMVMY1500__76

\*To complete catalog number, add voltage and options suffix(es).

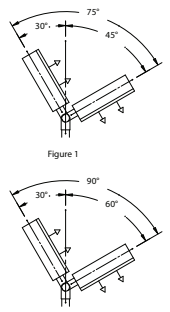
## Voltage Suffixes:

Voltage (60Hz)	Dual-Tap	Tri-Tap	Multi-Tap	480
Suffix	/DT	/TT	/MT	/480



## Temperature Performance Data:

Catalog Series	Lamp		40°C Ambient			50°C Ambient			Fixture Aiming	
			Temperature Code			Temperature Code			Range	Figure
			Class I, Zone 2	Class I, Div. 2	Supply Wire °C	Class I, Zone 2	Class I, Div. 2	Supply Wire °C		
FMVS	High Pressure Sodium	600	T3	T1	90	TS	T1	105	90°	2
		750	T3	T1	90	T3	T1	105	90°	2
		1000	T3	T1	90	T3	T1	105	90°	2
FMVM	Metal Halide	1000	T3	T1	90	T3	T1	105	90°	2
	Pulse-Start	750	T3	T1	90	T3	T1	105	75°	1
	Metal Halide	750	T3	T1	90	-	-	-	90°	2
	Metal Halide	1000	T3	T1	90	T3	T1	105	75°	1
	Metal Halide	1000	T3	T1	90	-	-	-	90°	2



## Accessories (Order Separately):

- Slipfitter adapter:** To be mounted to yoke mount fixture; fits onto 2" pipe/conduit..... **SFA6**
- Wall bracket:** Use with slipfitter adapter SFA6 for easy wall mounting and increased adjustability..... **SWB6**
- Photocell in DS cover for use with FS/FD box:**
- 120V, 50/60Hz..... **D2S20**
- 208-277, 50/60Hz..... **D2S208 277**

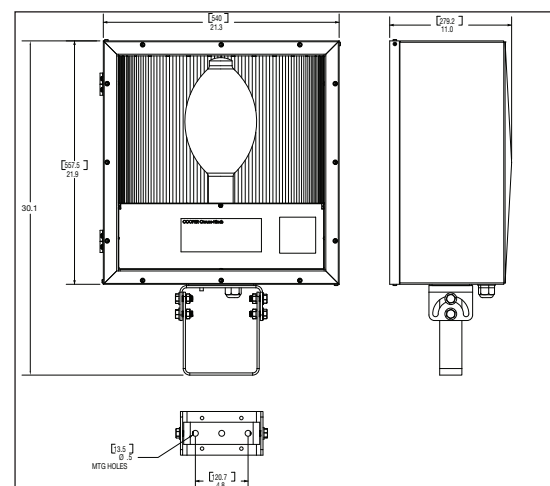
## Options:

Description	Suffix
20mm metric thread for conduit opening.....	<b>M20</b>
25mm metric thread for conduit opening.....	<b>M25</b>
3/4" NPT hub conduit opening.....	<b>NPT75</b>
Pulse-start metal halide only.....	<b>S828</b>
Retention chain.....	<b>S831</b>
Enclosure machined for 2 conduit/cable entries.....	<b>S886</b>
Factory assembled, lamp installed in lampholder.....	<b>FA</b>

## Weights and Dimensions:

### Net Fixture Weights (Lbs.):

Fixture Series	Weight (Lbs.)
FMVSY600	78
FMVSY750	76
FMVSY1000	83
FMVMY1000	76
FMVMY1500	84



**Effective Projected Area (EPA):**

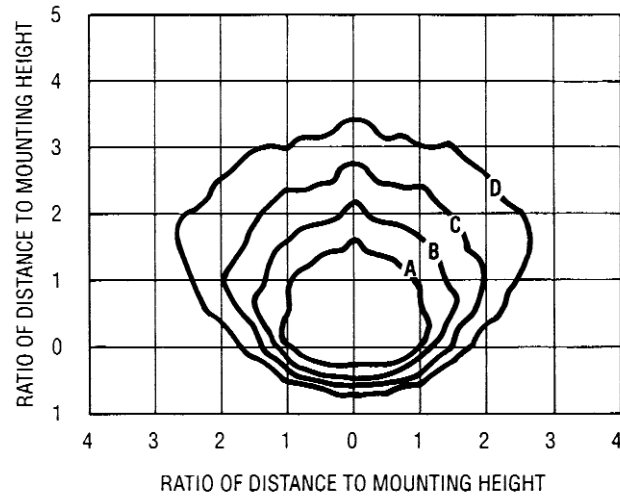
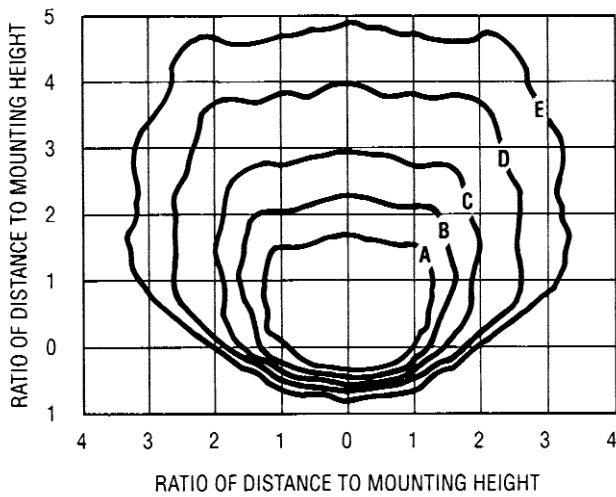
- For windloading
- For proper pole selection

Aiming Angle	EPA
0°	3.5 FT <sup>2</sup>
30°	3.6 FT <sup>2</sup>
60°	2.9 FT <sup>2</sup>

**Photometric Data:**

**ISO Footcandle Chart FMV**  
1000W High Pressure Sodium (HPS)  
Catalog Number: FMVSY1000-76  
Lamp: 1000W Clear HPS  
Lumen Rating: 140,000  
Fixture located at 0°, 0° aiming angle at 45°  
(Note: See Figures 1 and 2).

**ISO Footcandle Chart FMV**  
1000W Metal Halide (MH)  
Catalog Number: FMVMY1000-76  
Lamp: 1000W Clear MH  
Lumen Rating: 110,000  
For 1500W MH, multiply footcandles by 1.4  
Fixture located at 0°, 0° aiming angle at 45°  
(Note: See Figures 1 and 2).



6L

**Footcandle Table for FMVS1000W:**

Mounting Height	Footcandle Values for Isofootcandle Lines				
	A	B	C	D	E
20'	12.6	6.4	3.1	1.4	0.64
25'	8.1	3.9	2.0	0.8	0.4
30'	5.6	2.8	1.4	0.6	2.8
35'	4.2	2.1	1.0	0.42	0.2
40'	3.1	1.6	0.8	0.32	0.17

**Lamp Selection (Mogul Base):**

Fixture	Watts Type	Bulb	G.E.	Osram	Philips
FMVSY600	600 HPS	T15	LU600/T	—	C600S106
FMVSY750	750 HPS	ED37	LU750	—	—
FMVSY1000	1000 HPS	E25	LU1000	—	C1000S52/ED37
FMVMY750	750 MH	ED37	MVR750/VBU/PA	—	—
FMVMY1000	1000 MH	BT56	MVR1000/U	—	MH1000/U
FMVMY1500	1500 MH	BT56	MVR1500/U/SPORTS	—	MH1500/U