

4P**FSQC Arktite® Dead Front Interlocked Receptacles and Switches****APJ/NPJ Arktite Plugs**

Cl. I, Div. 1 and 2, Groups B, C, D
 Cl. II, Div. 1 and 2, Groups F, G
 Cl. III
 NEMA/EEMAC 3, 7BCD, 9FG, 12

Explosionproof
 Dust-Ignitionproof
 Raintight
 Wet Locations

Applications:

FSQC dead front switched interlock receptacles are used:

- To supply power to portable electrical equipment such as hand lamps, lighting systems, power tools, conveyors, welders and similar equipment.
- In areas which are hazardous due to the presence of flammable vapors or gases and combustible dusts.
- In damp, wet or corrosive locations.
- Indoors or outdoors at petroleum refineries, chemical and petrochemical plants and facilities for processing and handling grain, flour and starch.

Features:

- Compatible with Arktite® APJ aluminum and NPJ Krydon® plugs
- Switch cannot be turned "ON" until plug is fully inserted and rotated
- Plug cannot be withdrawn under load
- Cover cannot be removed when switch is "ON"
- Satisfies OSHA lockout tagout requirement
- Smallest mounting footprint for interlocks

Certifications and Compliances:

- NEMA 3, 7BCD, 9FG, 12
- NEC/CEC:
 - Class I, Division 1 & 2, Groups B, C, D
 - Class I, Zone 1, Group IIB + Hydrogen
 - Class II, Division 1 & 2, Groups F, G
 - Class III
- ANSI/UL Standards: 1010 UL Listed
- CSA Standards: C22.2 No. 30 cUL Listed & C22.2 No. 159

Materials:

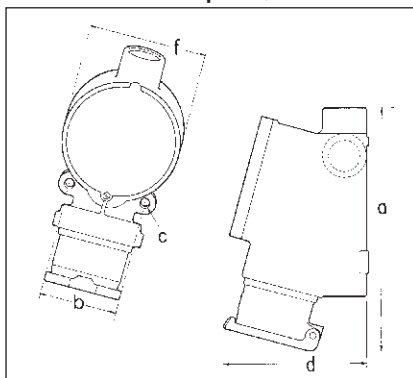
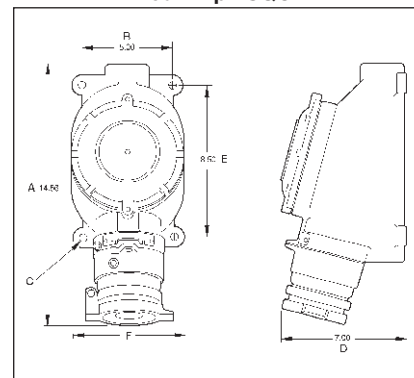
- Enclosure – copper-free aluminum
- Cover and spring door – copper-free aluminum
- Insulator – Krydon®
- Contacts – brass

**Options:**

Description	Suffix
Special polarity, receptacle interior rotated 22½°	S4

Interchangeability of Plugs with Other Hazardous and Non-hazardous Location Receptacles:

- Plugs listed for FSQC receptacles on 1043 are standard APJ/NPJ plugs. Other standard APJ/NPJ of the same rating, style and number of poles may be used with FSQC receptacles as well as with DBR, EBBR, EPC and EPCB receptacles listed in Section 2P and 4P.
- As a result, portable equipment suitable for the location and equipped with the proper plug can be used with AR series receptacles for non-hazardous areas, EBBR, EPC, EPCB, and FSQC receptacles for Class I hazardous locations; DBR receptacles for Class II hazardous locations.

Dimensions In Inches:**30 Amp FSQC****60 Amp FSQC****Dimensions**

	Maximum Dimensions					
	a	b	c	d	e	f
30A	10.00	3.12	Ø .38	5.75	N/A	4.75
60A	14.56	5.00	Ø .41	7.00	8.50	6.35

4P

FSQC Arktite® Dead Front Interlocked Receptacles and Switches

APJ/NPJ Arktite Plugs

Cl. I, Div. 1 and 2, Groups B, C, D
 Cl. II, Div. 1 and 2, Groups F, G
 Cl. III
 NEMA/EEMAC 3, 7BCD, 9FG, 12

Explosionproof
 Dust-Ignitionproof
 Raintight
 Wet Locations

4P

FSQC Receptacles With Spring Door Through Feed Hubs

Horsepower Rating:

Amps	Single Phase			
	120V	240V	480V	600V
30A	2	5	7½	7½
60A	—	10	25	30

Amps	Three Phase			
	120V	240V	480V	600V
30A	3	7½	15	15
60A	—	10	25	30



Ordering Information:

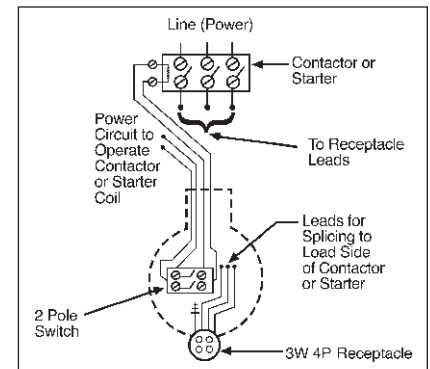
Amps	Hub	Config.	Description	Cat. #	Matching Plug
30A	¾"	2W3P	2-Pole Switch	FSQC2320	APJ3385
		3W4P	3-Pole Switch	FSQC2430	APJ3485
	1"	2W3P	2-Pole Switch	FSQC3320	APJ3385
		3W4P	3-Pole Switch	FSQC3430	APJ3485
60A	1½"	2W3P	2-Pole Switch	FSQC5630	APJ6385
		3W4P	3-Pole Switch	FSQC5640	APJ6485

FSQC for Use with Magnetic Motor Starters or Contactors

FSQC units listed below operate in the same way as standard units but are intended *only for use with magnetic motor starters or contactors* (see Wiring Diagram 1).

Receptacles have leads for splicing to conductors from the load side of contactor. The switch actuated by the plug is wired into the starter or contactor coil circuit and controls only this circuit. The starter or contactor is energized only when the plug is fully inserted and rotated to close the switch. Since the plug is inserted or withdrawn only when the switch is open, the circuit cannot be made or broken under the load.

Plugs used are standard APJ units and special polarity units listed are recommended where interchange with devices for other wiring systems is possible.



Wiring Diagram 1
 FSQC2390 and 3390 only

FSQC Receptacles With Spring Door Through Feed Hubs

No. of Poles	Hub Size	Receptacle Cat. #	Cable Dia.	Mating Plug Cat. #	
Standard Configuration					
3W, 4P	¾"	FSQC2390	} 0.39-1.20	APJ3485	
3W, 4P	1"	FSQC3390		} 0.55-0.70	NPJ3483
3W, 4P	1"			} 0.70-0.85	NPJ3484
Special Polarity Configuration					
3W, 4P	¾"	FSQC2390 S4	} 0.39-1.20	APJ3485 S4	
3W, 4P	1"	FSQC3390 S4		} 0.55-0.70	NPJ3483 S4
				} 0.70-0.85	NPJ3484 S4