

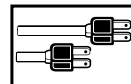


**II 2 G Ex e mb (ib) IIC T4**  
 -40 °C ≤ Ta ≤ +60 °C (AC-Mod.)  
 -40 °C ≤ Ta ≤ +65 °C (DC-Mod.)  
**II 2 D Ex mbD tD A21 IP66 T130 °C**  
 Zone 1, 21, 2, 22



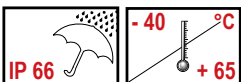
## Features

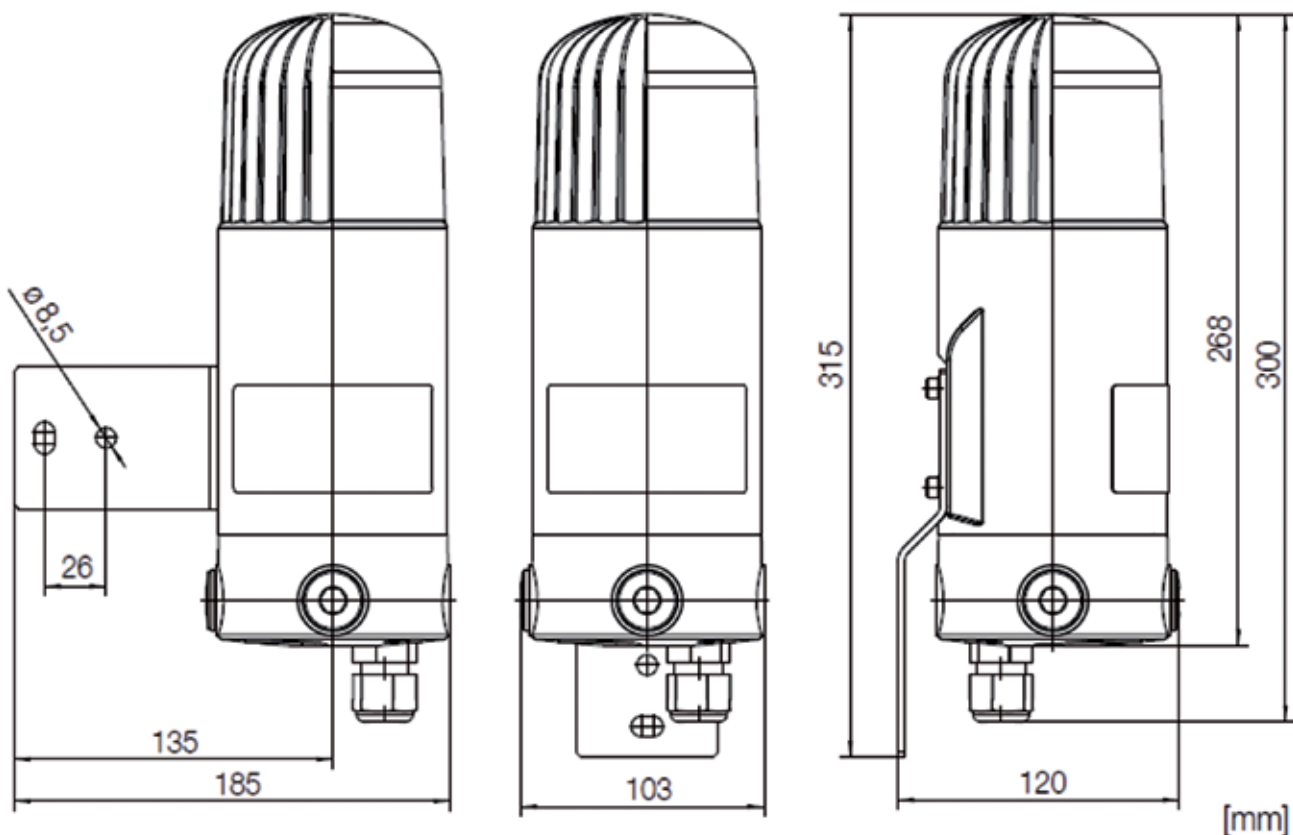
- ▶ LED signal beacon for zones 1, 21, 2, 22
- ▶ high protection class IP 66
- ▶ polycarbonate housing, mounting bracket V4A
- ▶ 4 different operating modes selectable:
  - LED steady beacon
  - LED flashing beacon
  - LED strobe beacon
  - LED rotating beacon
- ▶ available in 5 LED colours:
  - red, clear/white, blue, green, yellow



## Technical data

Type	mDD
Housing, colour	polycarbonate, black RAL 9005
LED colours	red, clear, blue, green, yellow
Terminal	up to 2,5mm <sup>2</sup>
Cable entry	1x cable gland M20 x 1,5 2x blind plugs M20 x 1,5
Mounting	mounting bracket V4A
Operating position	any
Operating modes (selectable)	LED steady beacon LED flashing beacon LED strobe beacon LED rotating beacon
Protection class	IP 66
Insulation class	III (DC), II (AC)
Weight	~2,5 kg





## Order data

### Colour code for LED

2	red	6	green
4	clear	7	yellow
5	blue		

Type	Operating mode	Nominal voltage (V)	Nominal current (A)				
			red	clear	blue	green	yellow
mDD1	LED steady light	230 V AC	0,047	0,055	0,055	0,055	0,047
	LED flashing light		0,040	0,044	0,044	0,044	0,040
	LED strobe light		0,037	0,040	0,040	0,040	0,037
	LED rotating light		0,035	0,037	0,037	0,037	0,035
mDD2	LED steady light	24 V DC	0,480	0,720	0,700	0,680	0,500
	LED flashing light		0,460	0,690	0,680	0,660	0,480
	LED strobe light		0,850	1,280	1,250	1,200	0,900
	LED rotating light		0,240	0,320	0,310	0,310	0,240

Type	Denomination	Nominal voltage (V)	Voltage range (V)	Order No.
mDD1	Ex-proof LED signal beacon	230 V AC	+/- 20%	336 00C 413
mDD2	Ex-proof LED signal beacon	24 V DC		336 00C 005