

Explosion-proof Telephone dST

dST1



II 2 G Ex emb [ib] IIC T5/T6
 II 2 D Ex tD A21 IP66 T100 °C/T80 °C
 -25 °C ≤ Ta ≤ +60 °C/+40 °C
 Zone 1, 2, 21, 22



integrated adjustable stabilizer bracket

stainless steel armoured handset cord

dST2



emergency telephone – connects directly to main PABX by lifting receiver

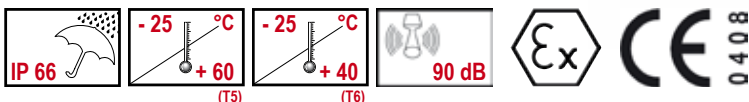
Features

- Explosion-proof telephone for universal applications in the industry (onshore and offshore)
- Certified for gas and dust explosion endangered areas (G and D)
- Resistant against high temperature differences, humidity, seawater, acids, alkalis etc.
- Very robust impact protected telephone housing (impact protection IK 09)
- Freely programmable, well readable alphanumeric display
- Designed for use with gloves, V4A stainless steel keypad – 21 keys
- Model without keypad available as emergency telephone
- Comfort telephone functions as in office communication
- Handsfree operation
- Visual call signalling on display
- Ringing sound pressure level approx. 90 dB (A) in 1 m
- 10 ringing tone melodies selectable
- Listening by loudspeaker: max. 68 dB (A) in 1 m
- Receiver volume adjustable in 7 steps from 0 dB to +12 dB
- Menu in german/english/french/spanish
- Telephone directory – max. 50 entries (names and numbers)
- Locking option via PIN-code

EX-PROOF ACCESSORIES FOR EXSAFETEL

For details pls refer to page xxx-xxx

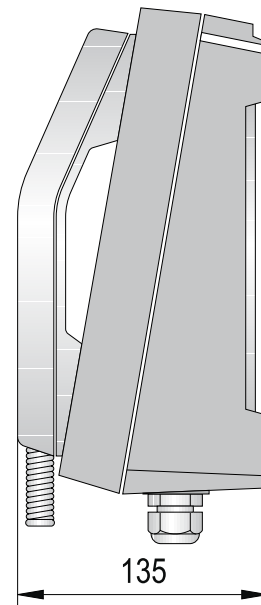
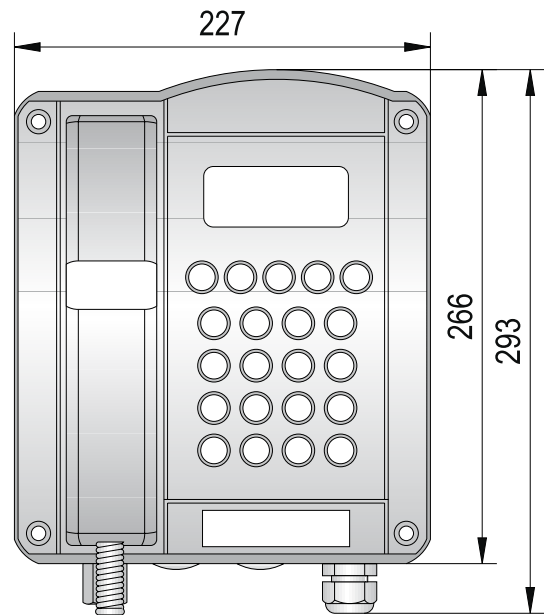
- Ex-proof audible telephone call sounder (AS1)
- Ex-proof visual-audible telephone call sounder (VS1)
- Ex-proof loudspeaker set (LS1)
- Ex-proof additional earpiece set (ES1)
- Headset (HS1)





Technical data

General data	dST1-dST2	
Housing, colour	glassfibre reinforced polyester, black RAL 9005	
Display	2-line alphanumeric display with pictograms/visible area 78 x 26 mm	
Keypad	metal keypad with ice protection/ 21 keys with ABC lettering for name entries	
Weight	~ 5,5 kg	
Receiver/stabilizer bracket	integrated, adjustable stabilizer bracket	
Handset cord	stainless steel armoured handset cord V4A	
Receiver inset	dynamic receiver with leakage field spool for inductive coupling of hearing aids	
Mouth piece	electret microphone	
Noise suppression mouth	> 3 dB due to integrated mouthpiece horn	
Ringing volume	~ 90 dB (A) in 1 m	
Terminal data		
Types of protection	II 2 G Ex e mb [ib] IIC T6 II 2D Ex tD A21 IP66 T80°C -25°C ≤ Ta ≤ +40°C	II 2 G Ex e mb [ib] IIC T5 II 2D Ex tD A21 IP66 T100°C -25°C ≤ Ta ≤ +60°C
Approval	DMT 03 ATEX E 034	
Protection class	IP 66 (EN 60529)	
Impact protection	IK 09 (EN 50102)	
Line voltage	24 V DC-66 V DC	
Line current	0,015 A DC-0,10 A DC	
Ringing alternating current	24 V AC-90 V AC (at 21 ... 54 Hz ringing frequency) 30 V AC-90 V AC (at 16,6 ... 54 Hz ringing frequency)	
Ringing impedance	> 6,0 KΩ at 25 Hz and 24 ... 90 V AC > 4,0 KΩ at 50 Hz and 24 ... 90 V AC	
Inquiry key	flash function adjustable from 40 ms-399 ms	
Dialling procedure	PD-DTMF operation to be set in the menu DTMF operation according to CCITT recommendation Q.23 PD operation – pulse/pause ratio ca be set to 1,5:1 or 2:1 in the menu	
W-conductor	connection for external secondary sounder	
Terminals	up to 4 mm ² rigid, up to 2,5 mm ² flexibel	
Cable gland (free)	1 x M20x1,5 2 x blind plug M20x1,5	
Operating temperature	-25 °C to +40 °C (T6)	-25 °C to +60 °C (T5)
Storage temperature	-25 °C to +70 °C	



Order data

Type	Order No.	Denomination
dST1	410 010 000	ExSafeTel - Explosion-proof Telephone
dST2	410 020 000	ExSafeTel - Explosion-proof Emergency Telephone without keypad and display (for central operation)