

# Ex-Proof LED Signal beacon dSD



II 2 G Ex d e IIC T6 Gb  
 II 2 D Ex tb III C T80°C Db  
 -55°C ≤ Ta ≤ +55°C  
 Zone 1, 2, 21, 22

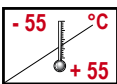
## Features

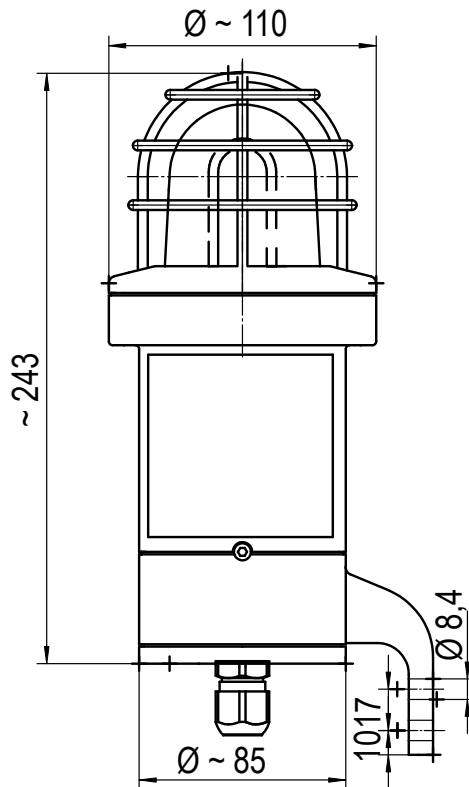
- ▶ Robust visual signal beacon with LED technology
- ▶ High signalling effect and long life time
- ▶ For versatile use in zones 1, 21, 2, 22
- ▶ 4 different operating modes selectable:
  - LED steady light
  - LED flashing light
  - LED strobe light
  - LED rotating light
- ▶ Sturdy aluminium housing
- ▶ Hardened glass lens (borosilicate glass)
- ▶ Protection case made of stainless steel
- ▶ Compact dimensions
- ▶ Terminal connection chamber "d" in protection class increased safety „e“
- ▶ For continuous operation
- ▶ Available in 5 LED colours



## Technical data

Type	dSD
Housing, colour	aluminium, surface painted or powder coated (yellow/blue)
Lens	hardened borosilicate glass
Terminal	2,5 mm <sup>2</sup> single wire; 1,5 mm <sup>2</sup> fine wire
Cable entry	cable gland M20 x 1,5 blind plug M20 x 1,5
Mounting	mounting bracket
Operation	continuous for all operating modes
Operating modes/ Flashing-/Strobe frequency/ Rotations	LED steady light
	LED flashing light - 2 Hz
	LED strobe light - 7 times on (55 ms) and off (19 ms), pause 1 s
	LED rotating light ~44 rpm - 1 segment on ~33 rpm - 2 segments on
Insulation class	I - at 85-265 V AC III - at 24 V DC equipotential bonding: screw type with wire protection, external clamping capacity max. 4 mm <sup>2</sup>
Operating position	any
Operating conditions	in- and outdoor
Weight	~ 2 kg
Approval	PTB 03 ATEX 1230





### Order data

Type	Order No.	Denomination	Nominal voltage (V)	Voltage range (V)	Nominal current (A)					
					Operating mode	red	yellow	green	blue	clear
dSD1	335 21C 313	Ex-proof LED signal beacon with protection cage	110-240 V AC	85-265 V AC	Steady light	0,125	0,125	0,160	0,170	0,170
					Flashing light	0,125	0,125	0,160	0,170	0,170
					Strobe light	1,800	1,800	1,210	1,230	1,230
					Rotating light 1	0,060	0,060	0,065	0,070	0,070
					Rotating light 2	0,070	0,070	0,080	0,085	0,085
dSD2	335 21C 005	Ex-proof LED signal beacon with protection cage	24 V DC	+/- 20 %	Steady light	0,550	0,570	0,800	0,850	0,870
					Flashing light	0,550	0,570	0,800	0,850	0,870
					Strobe light	1,200	1,200	1,500	1,500	1,600
					Rotating light 1	0,190	0,190	0,250	0,250	0,280
					Rotating light 2	0,250	0,250	0,350	0,350	0,380
	335 21C 008*	Ex-proof LED signal beacon with protection cage	48 V DC	43-53 V DC	Steady light	0,225	0,235	---	---	---
					Flashing light	0,225	0,235	---	---	---
					Strobe light	0,650	0,650	---	---	---
					Rotating light 1	0,115	0,115	---	---	---
					Rotating light 2	0,140	0,140	---	---	---

\* only available in red and yellow

#### Colour code for LED

Colour code for LED		C	
2	red	6	green
4	clear	7	yellow
5	blue		