



mounting bracket 4VA stainless

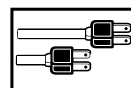


terminal connection chamber in protection class increased safety „e“

Ex II 2 G Ex de IIC T6
 II 2 D Ex tD A21 IP66 T80 °C
 -20 °C ≤ Ta ≤ +40 °C
 Zone 1, 2, 21, 22

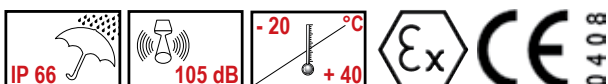
Features

- ▶ loud signal bell with typical bell tone
- ▶ for use in explosion endangered areas of zone 1 and 2
- ▶ modular system with synthetic housing made of glassfibre reinforced polyester
- ▶ flameproof chamber „d“ – terminal connection chamber in protection class increased safety „e“
- ▶ lower weight – robust and corrosion proof design
- ▶ insulation class II – no equipotential bonding required
- ▶ DC models with electronic contact breaker – significantly higher lifetime
- ▶ model dHWR with integrated telephone call current relay

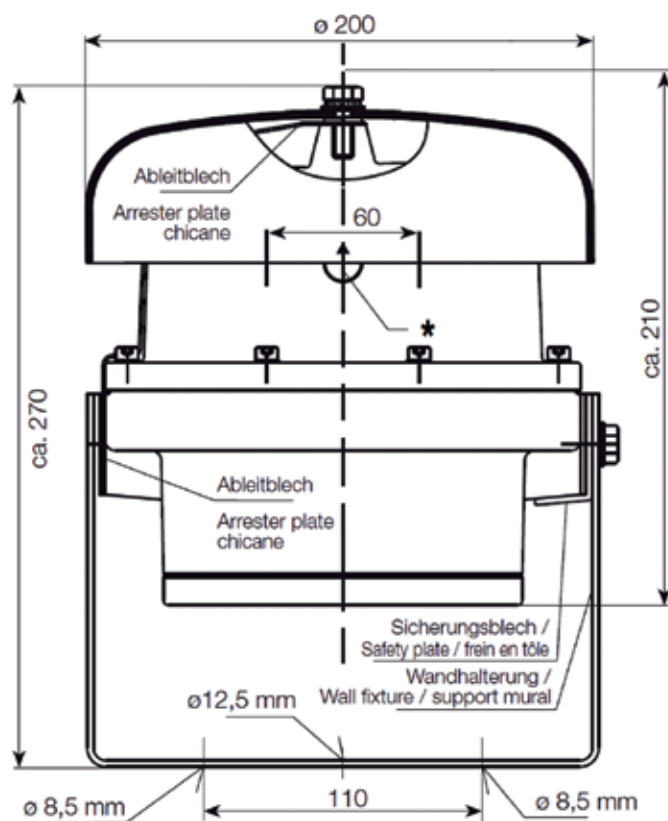


Technical data

Type	dHW - dHWR
Housing, Colour	glassfibre reinforced polyester black RAL 9005
Terminal	1,5 mm ² fine wire 2,5 mm ² single wire
Cable entry	cable gland M20 x 1,5 blind plug M20 x 1,5 dHWR: 2 x cable gland M20 x 1,5
Mounting	as required - swiveling mounting bracket, preferably sound outlet to front or downwards
Operation	continuous
Insulation class	II no equipotential bonding required
Weight	6,0 kg
Approval	PTB 01 ATEX 1134



The signal bell must not be used in areas in which highly charge-generating processes, mechanical friction and separation, discharge of electrons (e.g. in the vicinity of electrostatic coating devices), or pneumatically conveyed dust may occur.



Order data

Type	Denomination	Tone options		Nominal voltage (V)	Hz	Voltage range(V)	Nominal current (A)	Order No.
		Tone types	Sound press. (dB)					
dHW	Ex-proof signal bell	continuous	105	6 V AC	50	+10%/ -15%		320 000 103
				12 V AC			0,60	320 000 104
				24 V AC			0,32	320 000 105
				42 V AC			0,30	320 000 107
				48 V AC			0,30	320 000 108
				60 V AC			0,24	320 000 109
				110 V AC			0,14	320 000 110
				230 V AC	0,055		320 000 113	
				120 V AC	60		0,18	320 000 211
				240 V AC			0,065	320 000 213
				6 V DC			1,20	320 000 003
				12 V DC			0,60	320 000 004
				24 V DC			0,35	320 000 005
				48 V DC			0,30	320 000 008
				60 V DC			0,23	320 000 009
				110 V DC			0,13	320 000 010
				220 V DC			0,07	320 000 013
dHWR	Ex-proof signal bell with telephone call current relay	continuous	105	230 V AC	50		0,055	320 100 113