



mounting bracket 4VA stainless



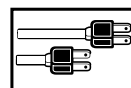
terminal connection chamber in protection class increased safety „e“



II 2 G Ex de IIC T5/T6
 II 2 D Ex tD A21 IP66 T95 °C/T80 °C
 -20 °C ≤ Ta ≤ +75 °C/+70 °C
 Zone 1, 2, 21, 22

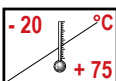
Features

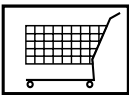
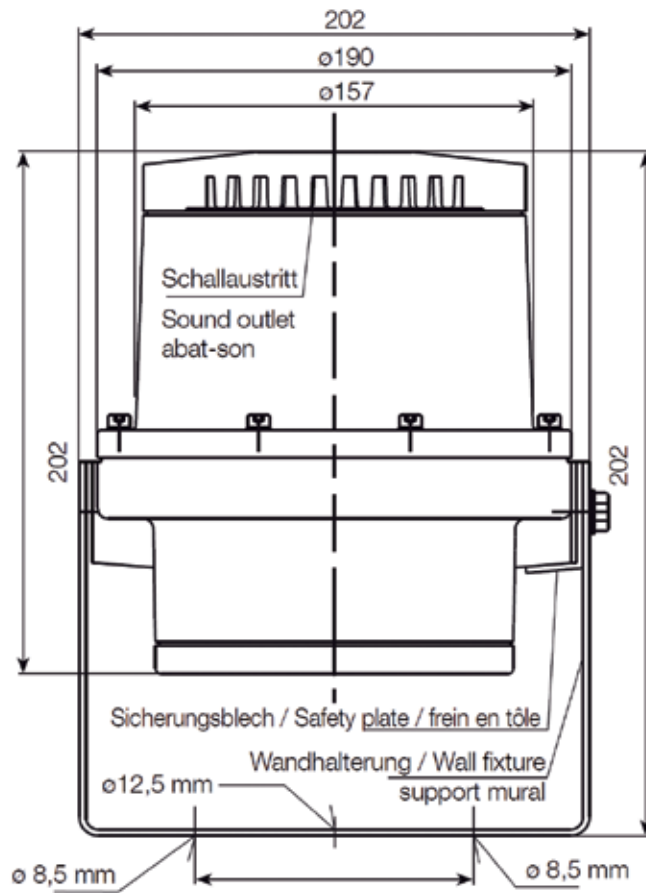
- ▶ loud signal horn with typical horn tone
- ▶ for use in explosion endangered areas of zone 1 and 2
- ▶ modular system with synthetic housing made of glassfibre reinforced polyester
- ▶ flameproof chamber „d“ – terminal connection chamber in protection class increased safety „e“
- ▶ lower weight – robust and corrosion proof design
- ▶ insulation class II – no equipotential bonding required
- ▶ DC models with electronic contact breaker – significantly higher lifetime
- ▶ model dHHR with integrated telephone call current relay



Technical data

Type	dHH - dHHR
Housing, Colour	glassfibre reinforced polyester black RAL 9005
Terminal	1,5 mm ² fine wire 2,5 mm ² single wire
Cable entry	cable gland M20 x 1,5 blind plug M20 x 1,5 dHHR: 2 x cable gland M20 x 1,5
Mounting	as required - swiveling mounting bracket, preferably sound outlet to front or downwards
Operation	continuous
Insulation class	II no equipotential bonding required
Weight	5,5 kg
Approval	PTB 01 ATEX 1133





Order data

Type	Denomination	Tone options		Nominal voltage (V)	Hz	Voltage range (V)	Nominal current (A)	Order No.
		Tone types	Sound press. (dB)					Housing grey/black
dHH	Ex-proof signal horn	continuous	105	6 V AC	50	+10%/-15%	2,30	300 000 103
				12 V AC			1,20	300 000 104
				24 V AC			0,650	300 000 105
				42 V AC			0,30	300 000 107
				48 V AC			0,350	300 000 108
				60 V AC			0,25	300 000 109
				110 V AC			0,15	300 000 110
				230 V AC	0,070		300 000 113	
				120 V AC	60		0,15	300 000 211
				240 V AC			0,07	300 000 213
				6 V DC			1,00	300 000 003
				12 V DC			0,60	300 000 004
				24 V DC			0,300	300 000 005
				48 V DC			0,170	300 000 008
				60 V DC			0,15	300 000 009
				110 V DC	0,08		300 000 010	
				220 V DC	0,050		300 000 013	
dHHR	Ex-proof signal horn with telephone call current relay	continuous	105	230 V AC	50		0,070	300 100 113