

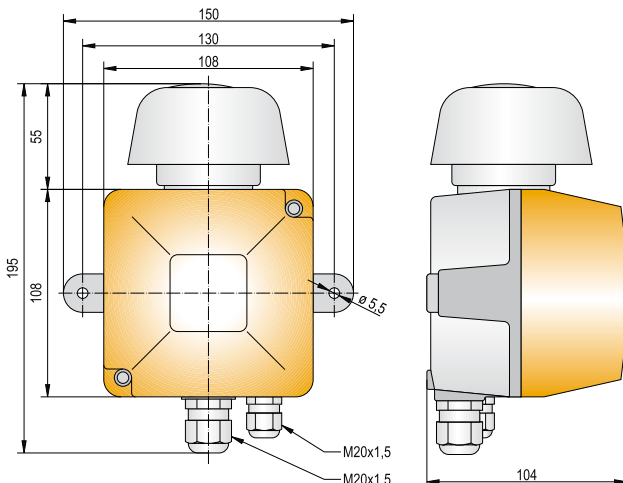
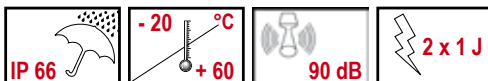
Ex-Proof Visual-Audible Signalling Sounder VS1



II 2 G Ex e mb [ib] IIC T6/T5/T4 Gb
-20 °C ≤ Ta ≤ +40 °C/+50 °C/+60 °C
Zone 1, 2

Features

- Explosion proof visual-audible signalling sounder for universal applications in explosion endangered areas
- 3 tone types and up to 4 tone sequences selectable via DIP switch
- Power supply from mains (230 V AC)
- 5 lens colours



DIP Switch	Mode
☐ ☐ ☐ ☐	Telephone Call Secondary Sounder
■ ☐ ☐ ☐	Signalling Sounder

Tone setting		
Tone Type	DIP Switch	Tone Sequence
Single tone	☐ ☐ ☐ ☐	continuous tone
	☐ ☐ ☐ ☐	120 ms on 50 ms off
Two tone	☐ ☐ ☐ ☐	16,6 Hz
	☐ ☐ ☐ ☐	50 Hz
Three tone	☐ ☐ ☐ ☐	16,6 Hz
	☐ ☐ ☐ ☐	50 Hz
	☐ ☐ ☐ ☐	120 ms on 50 ms off
	☐ ☐ ☐ ☐	60 ms on 25 ms off



Technical data

Type	VS1
Housing, colour	aluminium die-cast, black RAL 9005
Lens	polycarbonate, amber, red, clear, blue, green
Mounting	wall or ceiling
Weight	1,5 kg
Acoustic signalling	loudspeaker
Tone types	single/two tone or three tone selectable with DIP switch
Visual signalling	2 xenon tubes with ~ 1 J
Power supply	230 V AC -15% +10%, 50/60 Hz
Strobe frequency	1-2 Hz
Terminal	up to 1,5 mm ² single or fine wire
Cable entry	2 x M20x1,5
Cable diameter	6-12 mm
Duty cycle factor	≤ 60 min. at Ta +60 °C ≤ 15 min. at 60 Hz (30 min. pause)
Approval	PTB 04 ATEX 2012



Order data

Type	Order No.	Denomination
VS1	410 10C 005	Ex-proof visual-audible signalling sounder

Colour code for lens

Code	Colour	Code	Colour
1	amber	5	blue
2	red	6	green
4	clear		